

F

E

D

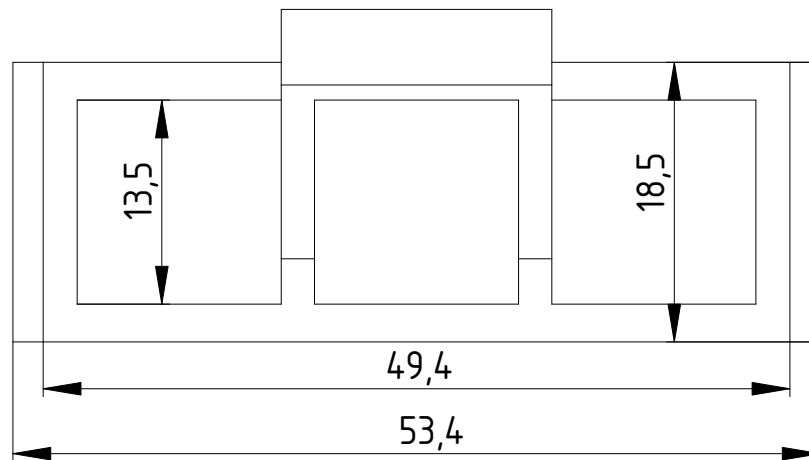
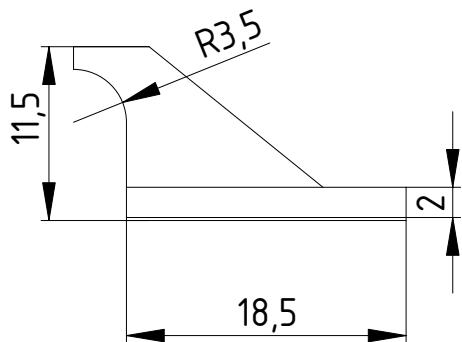
C

B

A

4

4

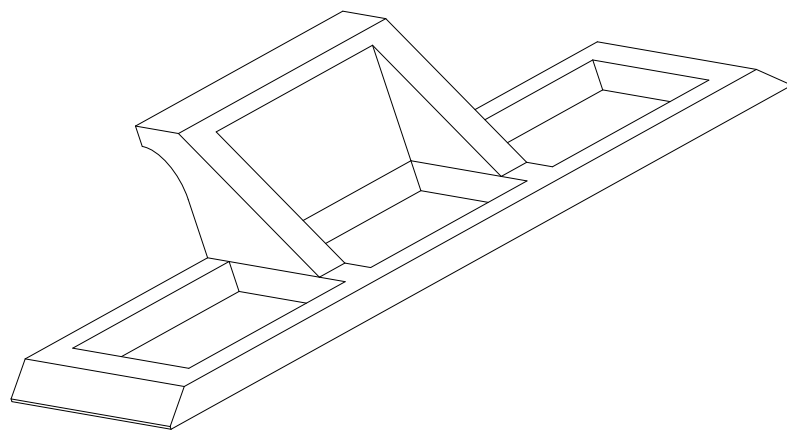


3

3


2

2



1

1

DESIGNED BY: Marcus Jacobs		Motor- und Batteriehalter		G	—
DATE: Date		für den Theo III		F	—
SIZE A4				E	—
				D	—
SCALE 2x	WEIGHT (kg) Weight	DRAWING NUMBER 02	SHEET 02	C	—
This drawing is our property; it can't be reproduced or communicated without our written consent.				B	—
				A	—

F

E

D