

F

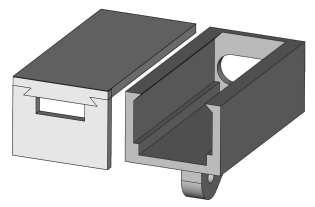
E

D

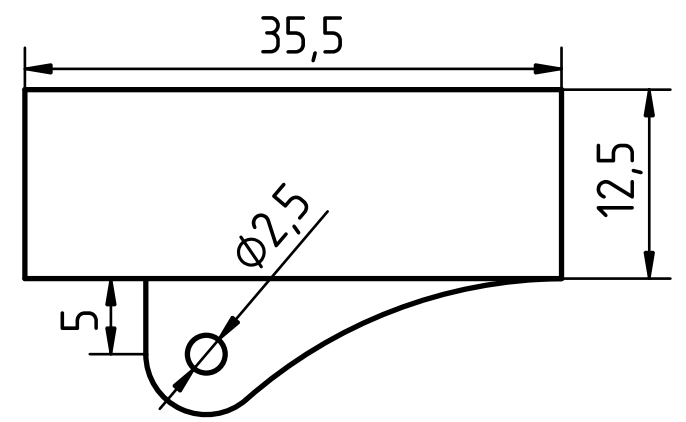
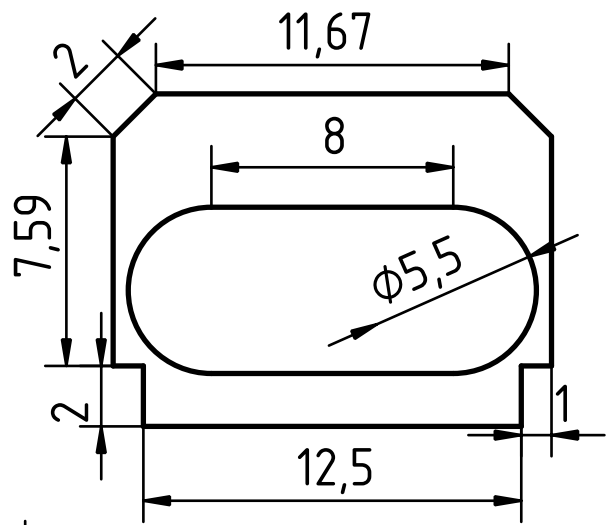
C

B

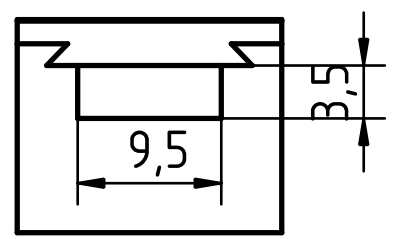
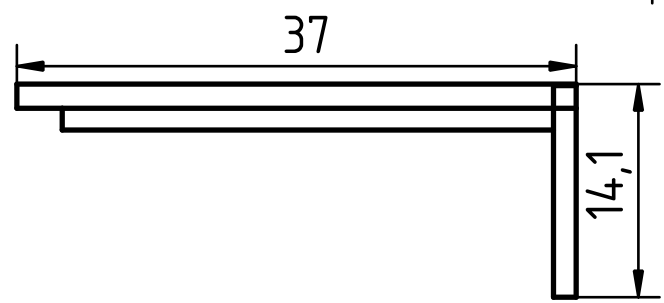
A



Corpus



Deckel



DESIGNED BY: Marcus Jacobs		IR-Sensorgehäuse		G	—
DATE: 8.5.2024		für Theo III		F	—
SIZE: A4				E	—
				D	—
SCALE: 1:4 / 1:2	WEIGHT (kg): Weight	DRAWING NUMBER: SMARS IR	SHEET: 02	C	—
This drawing is our property; it can't be reproduced or communicated without our written consent.				B	—
				A	—

F

E

D

4

3

2

1