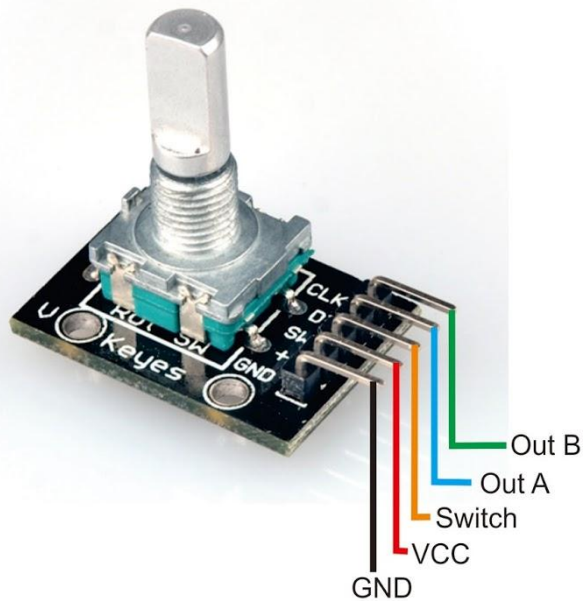


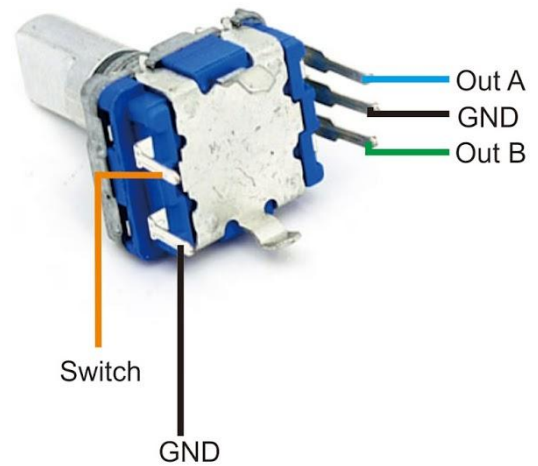
Der Drehgeber (rotary encoder)

Rotary Encoder Switch

With Breakout Board



Without Breakout



Revision #1

Created 29 April 2026 08:46:37 by Marcus Jacobs

Updated 29 April 2026 08:47:23 by Marcus Jacobs